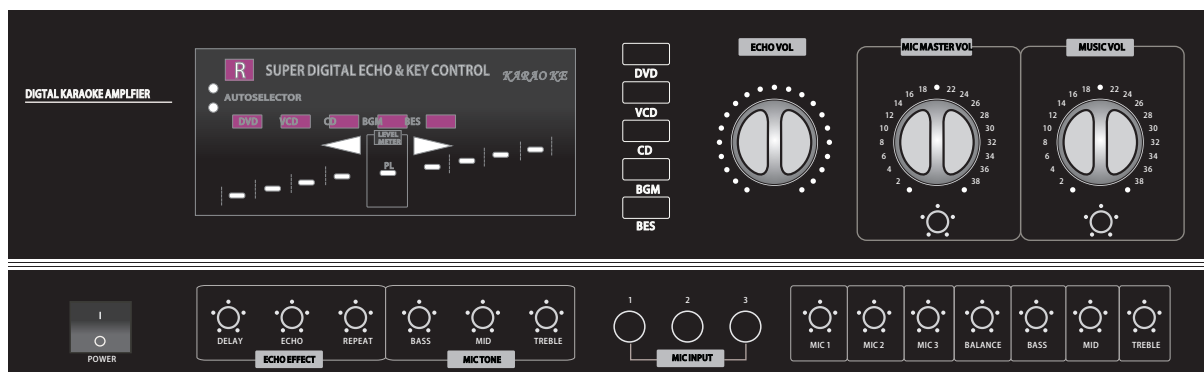


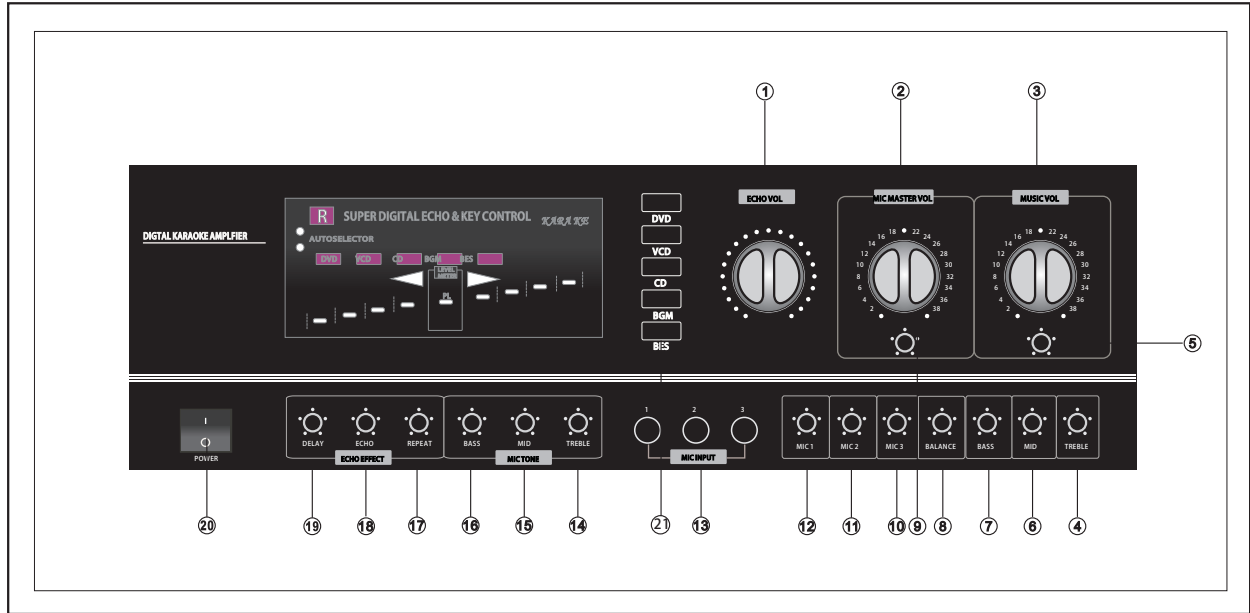
# 使用说明书

# User's guide



# SOUND BY PERFECTION

## NAMES OF PARTS AND THEIR FUNCTIONS (FRONT PANEL)



- ① ECHO's numeral reverberation strength is adjusted controlling ECHO's knob can be adjusted the echo intensity effect of microphone, and strengthens toward right side effect , and weakens toward left side effect.
- ② Total volume of MIC's VOLUME's microphone is controlled This knob can be adjusted all microphone volume ,toward the fight side for strengthening volume, toward a left side for reducing volume.
- ③ Total volume of MISIC's VOLUME's music is controlled
- ④ TREBLE's music high-pitched voice is controlled the knob This knob can be adjusted the volume to import the audio frequency music. Toward the right side for strengthening volume. Toward a left side for reducing volume. Part of clockwise rotation music is promoted step by step.
- ⑤ The knob controlled in the music volume locking
- ⑥ The knob controlled in sound tone quality in MID's music The ability is answered by the middle sound of this to control knob available comes to strengthen or weakens that the music accompanies ministry sake. The middle sound part of clockwise rotation music is promoted step by step.
- ⑦ The knob controlled in BASS's music bass tone quality this to contiuerol knob available comes to strengthen or weakens that the music the accompanies bass or highpitched voice answer ability of ministry sake. The bass part of clockwise rotation music promoted step by step.
- ⑧ BALANCE's music balance control knob
- ⑨ The knob controlled in the microphone volume locking

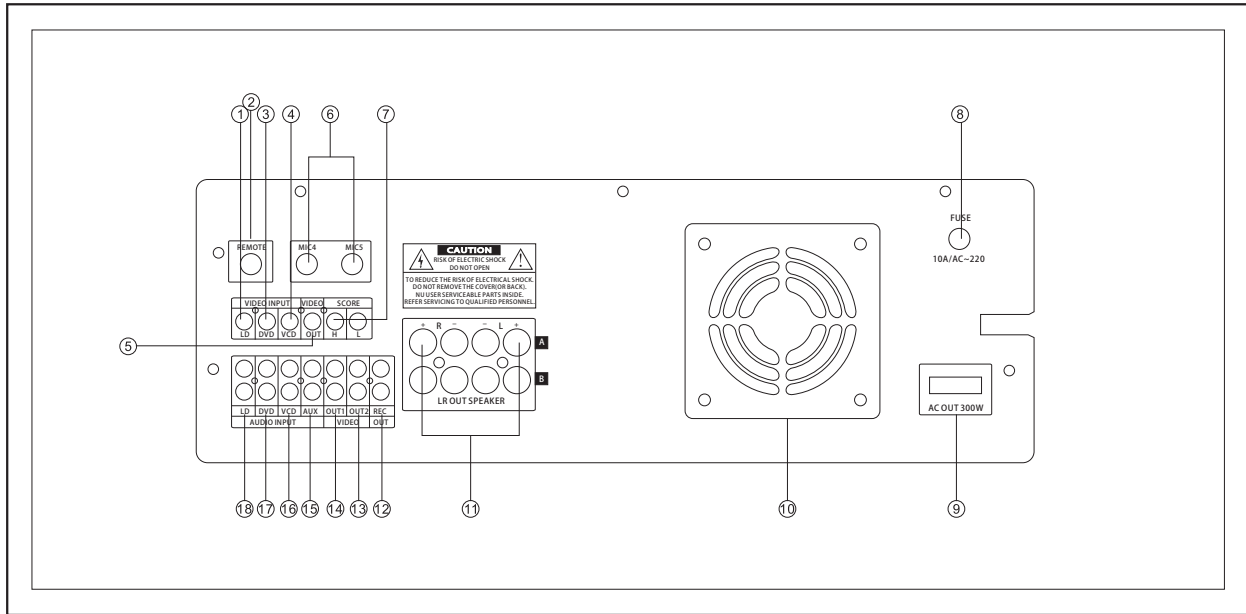
# DIGITAL ECHO KARAOKE & KEY CONTROL AMPLIFIER

- ① 3 microphone volume MIC is controlled
- ① 2 microphone volume MIC is controlled
- ② 1 microphone volume MIC is controlled
- ③ MIC 1's MIC 2's MIC 3's microphone is imported the hub
- ④ TREBLE's microphone high-pitched voice volume controls the knob  
This a controlled the available high-pitched voice answer ability to come to strengthen or weakens microphone volume ministry sake of knob. The high-pitched voice part of clockwise rotation microphone is promoted step by step
- ⑤ Sound volume controls the knob in MIC's microphone. This is controlled the available middle sound that comes to strengthen or weakens microphone volume ministry sake of knob and answers the ability. The middle sound part of clockwise rotation microphone is promoted step by step
- ⑥ BASS's microphone bass volume controls the knob . This is controlled the available bass answer ability to come to strengthen or weakens microphone volume ministry sake of knob. The bass part of clock wise rotation microphone is promoted step by step
- ⑦ Microphone echo of REPEAT's repeats the times and controls knob REPEAT's knob and can adjust the echo and repeat the times, and it is more to repeat the times toward the echo in right side and it is fewer To repeat the times toward the echo on left side
- ⑧ ECHO's microphone mixes sound degree of depth controlling knob ECHO's knob and can adjust the microphone and mix the sound degree of depth
- ⑨ Microphone echo of DELAY's postpones time and controls the knob DELAY's knob can be adjusted echo delay time ,and it is longer to lengthen time toward the echo on right side, and it is shorter to lengthen time toward the echo on left side
- ⑩ POWER's Power-fail  
According to making the power supply open during this key, Approximate number second later emperor has export by the machine, again according to once closing down the power supply.
- ⑪ BES  
stereo and monophony control
- ⑫ AUDIO INPUT SELECT  
DVD/VCD/CD/BGM input select

## CAUTIONS

- **Pay attention to have good ventilation**  
Please do not place the set in a location where it will be exposed to direct sunlight or near a heating appliance.
- **Caution on humidity, water.**  
Do not place the set in a location where is humidity, and flower vases or other items containing water should not be placed on top of the set.
- **Power supply**  
After fixing properly, please make sure power is correspond with the set requirement before with the set requirement before connecting AC power. Don't connect wrong to prevent from damaging the set . Please try to pull out the plug if you are not at home or long time, connect it again after back home.
- **Ventilation hole**  
When the ventilation hole it can cause the set damage, the ventilation holes are very import for heat radiation for inside. If anything is wring please turn off first, after check then use it again.
- **Do not allow outside matter into the set**  
Especially be careful of needle iron and coins getting into the set.
- **Do not open the cover**  
The set is electronic product, please don't open the cover to avoid dangerous of damaging or electric shock unless you are a professional technician. If any thing is wrong please pull out the plug first and contact with the technician.
- **Appearance cleaning**  
Avoid the use of pesticides as well as wiping the case with benzine, thinner or other solvents since they may cause change in quality or color. Use a soft cloth wiping way dirt.

## NAMES OF PARTS AND THEIR FUNCTIONS (FRONT PANEL)



- ① LD's shadow sound CD machine video input end VIDEO's INPUT's video output end used for with LD's shadow sound VD machine is linked together to be met
- ② REMOTE's system thread accuse is imported with S's end VIDEO's INPUT's video output end that
- ③ DVD's shadow sound CD machine video input end is used for with DVD's shadow sound CD machine is linked together to be met
- ④ VCD's shadow sound CD machine video input end VIDEO's INPUT's video output end used for with VCD's shadow sound CD machine is linked together to be met
- ⑤ VIDEO's OUT's shadow sound CD machine video output end Used for that rather than VIDEO's INPUT's video output end of its shadow sound CD machine is linked together to meet

- ⑥ MIC's INPUT's 4/5's microphone input header MIC4's MIC5's microphone input header and MIC2's MIC3's volume synchronizing hold control
- ⑦ Interface end is specialy given a mark by the machine that the song is ordered by SCORE OUT  
Can be with the microphone signal by way of the young direct output of the end it's time to do on the song machine , and the outfit has two giving a mark interface , Hs's (dividing gives a mark the interface ) and the ( interface is given a mark by the low branch ), and hanging down minute to give a mark , the interface is stricter when giving a mark than Gao Fen gives a mark the interface
- ⑧ Insurance of FUSW 10VA's seat  
Insurance of AC 220~240V 10A's seat.

# DIGITAL ECHO KARAOKE & KEY CONTROL AMPLIFIER

- ⑨ AC's OUT's 300W's power supply is sended out the supply seat  
AC's OUT's 300W's. power supply is sended out the supply seat  
and is used for supplying not giving other sound equipment to use  
through the power supply within this mechanical and electrical  
source switch control 300W
- ⑩ The electric fan dissipates heat
- ⑪ Brass-wind instruments enclosure coil outs  
Used for linking usefulness, and can be linked with two teams of  
enclosures with the enclosure
- ⑫ REC's OUT's soundrecording coil out  
The signal used for sending out as a result of microphone and  
music mixing behind the sound is sended out through this end , and  
supplies the usefulness of the soundrecording seat or the tape  
recorder sound recording
- ⑬ AUDIO's OUT2's audio frequency coil out
- ⑭ AUDIO's OUT1's audio frequency coil out
- ⑮ AUX reserves,and the audio frequency input header is young  
Used for that rather than the audio frequency of its shadow sound  
equipment coil out is linked together to meet
- ⑯ VCD;s shadow sound CD machine audio frequency input header  
The audio frequency used for with VCD's shadow sound CD  
machine AUDIO OUT coil out is linked together to met
- ⑰ DVD;s shadow sound CD machine audio frequency input header  
The audio frequency used for with DVD's shadow sound CD machine  
AUDIO OUT coil out is linked together to met
- ⑱ LD;s shadow sound CD machine audio frequency input header  
The audio frequency used for with LD's shadow sound CD machine  
AUDIO OUT coil out is linked together to met

## STANDARD SPECIFICATIO

### OUTPUT POWER:

|        |                 |
|--------|-----------------|
| E-6150 | 150W+150W(80hm) |
| E-6200 | 200W+200W(80hm) |
| E-6300 | 300W+300W(80hm) |

### INPUT SENSITIVITY/IMPEDANCE

|           |                  |
|-----------|------------------|
| MIC       | 5mv-100mv/600ohm |
| CIRCUITRY | 250mv-47kohm     |

### MUSIC CONTROL CHARACTERISTIC

#### MUSIC

|                 |        |
|-----------------|--------|
| Bass in music   | ± 10dB |
| Mid in music    | ± 10dB |
| Treble of music | ± 10dB |

#### Mic

|                 |       |
|-----------------|-------|
| Bass in music   | ± 6dB |
| Mid in music    | ± 6dB |
| Treble of music | ± 6dB |

### OUTPUT SENS ITIVITY/IMPEDANCE

|                 |              |
|-----------------|--------------|
| Audio frequency | 0.707V/1Kohm |
|-----------------|--------------|

|                            |         |
|----------------------------|---------|
| Protect short circuit from | 4-16ohm |
| Impedance                  | 8ohm    |

|               |                   |
|---------------|-------------------|
| POWER VOLTAGE | AC 180V-240V-50Hz |
|---------------|-------------------|

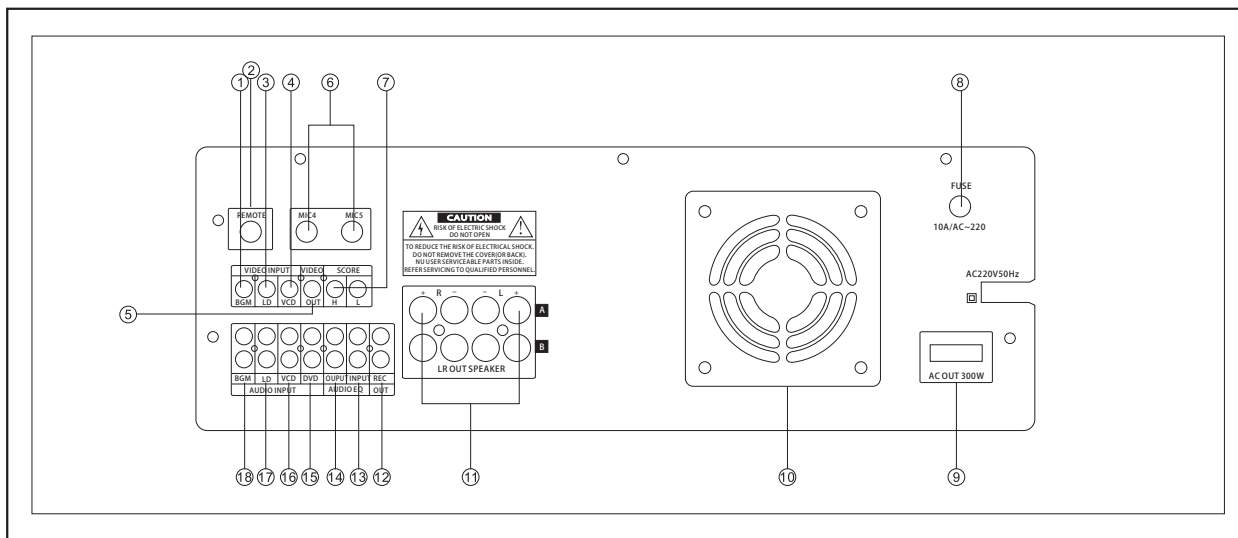
|                   |              |
|-------------------|--------------|
| POWER CONSUMPTION | AC 220V-50Hz |
|-------------------|--------------|

|              |              |
|--------------|--------------|
| POWER SOCKET | AC 220V/100W |
|--------------|--------------|

|                   |                 |
|-------------------|-----------------|
| OUTSIDE DIMENSION | 495x426x190(MM) |
|-------------------|-----------------|

Note:Design and specifications are subject to  
change for improvement without prior notice.

## 面板名称及功能说明



- ① BGM影音光碟机视频输出端子  
用来与BGM影音光碟机VIDEO OUTPUT视频输出端子相连接。
- ② REMOTE系统线控输入用S端子
- ③ LD影音光碟机视频输入端子  
用来与LD影音光碟机的VIDEO OUTPUT视频输出端子相连接。
- ④ VCD影音光碟机视频输入端子  
用来与VCD影音光碟机VIDEO OUTPUT视频输出端子相连接。
- ⑤ VIDEO OUT影音光碟机视频输出端子  
用来与电视机或其它的视频输入端子相连接。
- ⑥ MIC INPUT4/5麦克风输入端子  
MIC4 MIC5麦克风输入端子与MIC1 MIC2音量同步控制。
- ⑦ SCOR OUT点歌机专用评分接口端子  
可将麦克风信号通过此端子直接输出到点歌机上，并配备有两个评分接口-H（高分评分接口）和（低分评分接口），低分评分接口比高分评分接口在评分时更加严格。
- ⑧ FUSE 10VA保险座  
AC 220-240V 10A保险座。

- ⑨ AC OUT 300W电源输入供应座  
AC OUT 300W电源输出供应座是用来供应未经本机电源开关控制300W以内的电源给其它音响器材用。
- ⑩ 散热风扇
- ⑪ 喇叭音箱输出端子  
用来与音箱连接用，可与两组音箱连接。
- ⑫ REC OUT录音输出端子  
用来输出经过麦克风与音乐混音后的信号经此端子输出，供录音座或录音机录音之用。
- ⑬ INPUT音频输入端子、外接均衡器（效果器）输出
- ⑭ OUTPUT音频输出端子、外接均衡器（效果器）输入
- ⑮ DVD备用音频输入端子  
用来与其它影音器材之音频输出端子相连接。
- ⑯ VCD影音光碟机音频输入端子  
用来与VCD影音光碟机的AUDIO OUT音频输出端子相连接。
- ⑰ LD影音光碟机音频输入端子  
用来与LD影音光碟机的AUDIO OUT音频输出端子相连接。
- ⑱ BGM影音光碟机音频输入端子  
用来与BGM影音光碟机的AUDIO OUT音频输出端子相连接。

## 标准规格

## 输出功率放大器RMS

E-6150.....150W+150W (80hm)

E-6200.....200W+200W (80hm)

E-6300.....300W+300W (80hm)

频率响应.....35HZ-20KHZ ±1dB

## 输入灵敏度/阻抗

话筒.....5mv-100mv/600ohm

线路.....250mv-47kohm

## 音调控制

## 音乐

低频（增加/衰减）.....±10dB

中频（增加/衰减）.....±10dB

高频（增加/衰减）.....±10dB

## 话筒

低频（增加/衰减）.....±6dB

中频（增加/衰减）.....±6dB

高频（增加/衰减）.....±6dB

## 输出灵敏度/阻抗

音频.....0.707V/1Kohm

## 输出阻抗

带短路保护功能.....4-16ohm

推荐阻抗.....8ohm

电源供应.....AC 180V-240V-50HZ

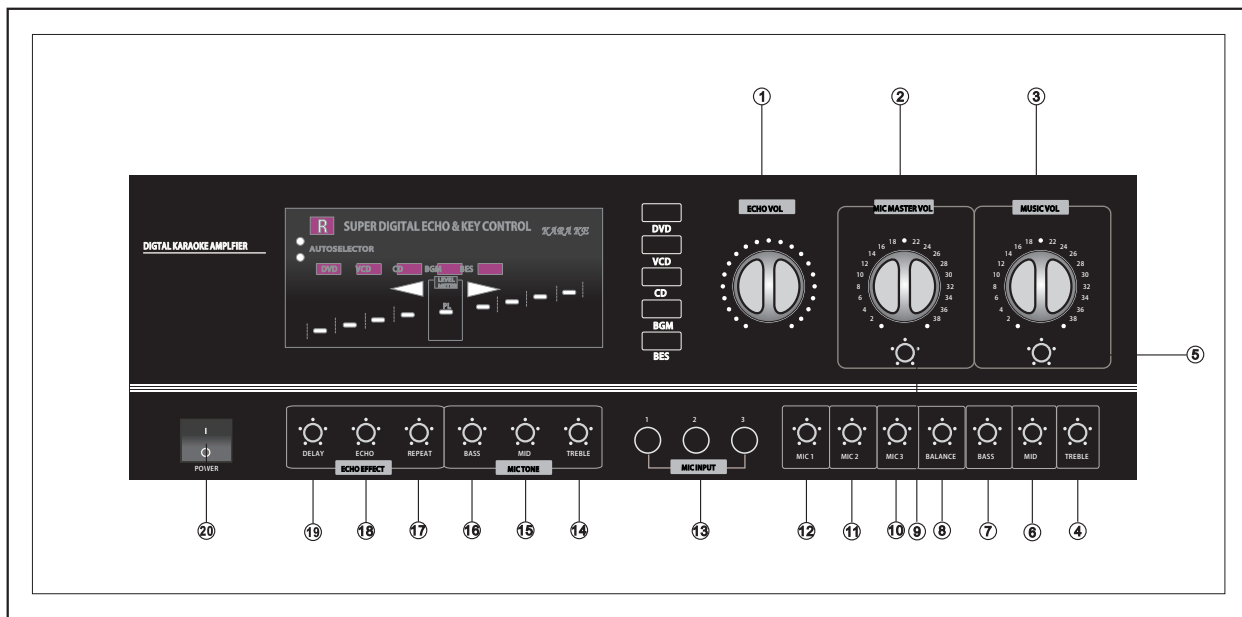
标准电源.....AC 220V-50HZ

交流电源输出插座.....AC 220V/100W

包装尺寸.....495x426x190 (MM)

规格如因性能及设计上改进而变更规格时，恕不另行通知

## 面板名称及功能说明



- ① ECHO数码混响强度调整控制  
ECHO旋钮可调整麦克风的回音强度效果，往右效果增强，往左效果减弱。
- ② MIC VOLUME麦克风总音量控制  
此旋钮可调整所有麦克风音量，往右为增强音量，往左为降低音量。
- ③ MUSIC VOLUME音乐总音量控制  
此旋钮可调整输入音频音乐的音量，往右为增强音量，往左为降低音量。
- ④ TREBLE音乐高音控制旋钮  
这个控制旋钮可用来加强或减弱音乐伴奏部份高音响应能力。顺时针旋转音乐的高音部分逐步提升。
- ⑤ 音乐音量锁定控制旋钮
- ⑥ MID音乐中音音质控制旋钮  
这个控制旋钮可用来加强或减弱音乐伴奏部份的中音响应能力。顺时针旋转，音乐的中音部分逐步提升。
- ⑦ BASS音乐低音音质控制旋钮  
这个控制旋钮可用来加强或减弱音乐伴奏部份的低音响应能力。顺时针旋转音乐的低音部分逐步提升。
- ⑧ BALNCE音乐平衡控制旋钮
- ⑨ 麦克风音量锁定控制旋钮
- ⑩ ⑪ ⑫ ⑬ ⑭ ⑮ ⑯ ⑰ ⑱ ⑲ ⑳



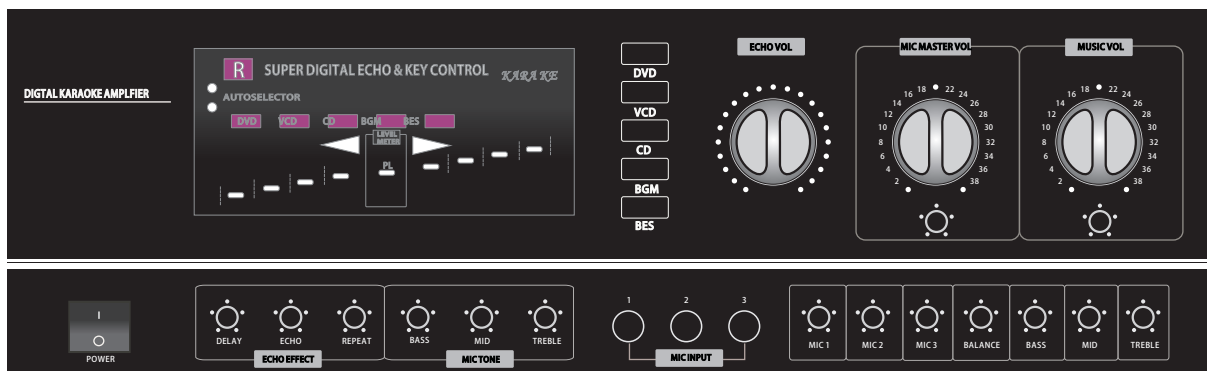
- ① NUC3麦克风音量控制
- ① MIC2麦克风音量控制
- ② MIC1麦克风音量控制
- ③ MIC1 MIC2 MIC3麦克风输入插座
- ④ TREBLE麦克风高音音量控制旋钮  
这个控制旋钮可用来加强或减弱麦克风音量部份的高响应能力。顺时针旋转, 麦克风的高音部分逐步提升。
- ⑤ MID麦克风低音音量控制旋钮  
这个控制旋钮可用来加强或减弱麦克风音量部份的中响应能力。顺时针旋转, 麦克风的低音部分逐步提升。
- ⑥ BASS麦克风低音音量控制旋钮  
这个控制旋钮可用来加强或减弱麦克风音量部份的低响应能力。顺时针旋转, 麦克风的低音部分逐步提升。
- ⑦ REPEAT麦克风回音重复次数控制旋钮  
REPEAT旋钮可计整回音重复次数, 往右回音重复次数愈多, 往左回音重复次数愈少。
- ⑧ ECHO麦克风混音深度控制旋钮  
ECHO旋钮可调整麦克风混音深度。
- ⑨ DELA麦克风回音延迟时间控制旋钮  
DELAY旋钮可调整回音延长时间, 往右回音延长时间愈长, 往左回音延长时间愈短。
- ⑩ POWER电源开关  
按这个按键时可使电源开启, 约数秒后主机才有输出, 再按一次可关闭电源。
- ⑪ BES混响立体声/单声道转换
- ⑫ INPUTSELECT音频输入选择  
可以在DVD/VCD/CD/BGM四种输入选择当中选择一种音频输入

### 使用时注意事项

- 注意高温散热  
装置请避免摆设于阳光直接照射的地方, 更不可以与易产生高温之电器产品摆在一起。摆设于密闭式客厅、房间时, 须更加留意通风散热问题, 通风散热孔的方向应置于空气流通的位置。
- 湿气、水份问题  
请尽量避免装置于湿气重、水份多的地方。本机盖上请勿放置盛水之茶杯或器皿以及有水之花瓶。
- 确认供应电源  
装置妥当后, 欲接上AC(交流)电源时, 请确认电源是否与机规格符合, 不可以接错以免损及机器。长时间外出或旅游不在家时, 请将电源插头拉下。
- 通风孔问题  
散热通风孔遮蔽时, 是引起主机故障原因之一。通风孔为主机散热用, 非常重要, 若发觉异常现象(产生高温)时, 请先关机, 待查明后再使用。
- 禁止放入其它物品  
绝对禁止放入针、细铁硬币等其它导电性质之物体, 以免损坏本机。
- 勿擅自拆机盖  
本机为电化制品, 非专业技术人员, 勿擅自打开机盖检视, 避免破坏或遭电击之危险。
- 外观擦拭整理  
外观面板不可喷杀虫剂或其它有机溶剂, 以避免引起变色或变质影响外观。外观擦拭整理时, 以清洁柔软布料, 配合清洁剂使用。(用清洁剂之前须确认不伤及外观面板方可用之)

# 专业卡拉OK功放机

## PROFESSIONAL KARAOKE AMPLIFIER



### 特性功能

- 本机具有特强抑制话筒啸叫的功能。
- 内置卡拉OK自动静噪电路。
- 特设卡拉OK评分输出接口，方便实现屏幕打分功能。
- 特设点歌机和VOD系统的专用输入通道，让配置更合理，更方便。
- 内置卡拉OK激励效果功能。
- 专业级20BIT数码混响电路，使歌声更加丰富自然。
- 全新的专业级多种模式数字混响，单片机控制准确可靠。
- 特有多种音源设备输入接口。
- 独有输入阻抗音源自动选择功能。
- 完善的过载适中保护扬声器功能。
- 220V强制冷风扇加强本机的散热，满足长时间工作。
- 可连接两组扬声器系统，使卡拉OK效果更佳，定位更准确。
- 前后板均设有麦克风输入插孔，从整体美观到工程安装都极为方便。
- 整体设计根据卡拉OK包房使用要求，其音量、音色及效果彩隐藏式调节，保证工作可靠。